

EN Instructions for use of Solight WO805 light panel

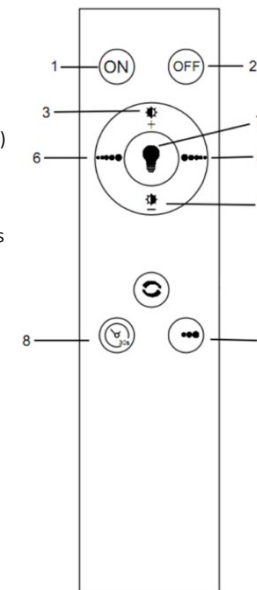
Dear customer, thank you for purchasing our product. Please read the following instructions carefully and follow them to serve you safely and to your full satisfaction. This will prevent misuse or damage. Avoid unprofessional handling of this appliance and always observe the electrical appliance usage guidelines. Keep the instruction manual carefully. Installation may only be carried out by a qualified worker qualified in accordance with Decree No. 50/1978 Coll. as amended, at least a worker who is knowledgeable in accordance with § 5 of Decree No. 50/1978 Coll. as amended.

	WO805
Power input	40W
Dimensions (mm)	450 x 80
IP coverage	IP20

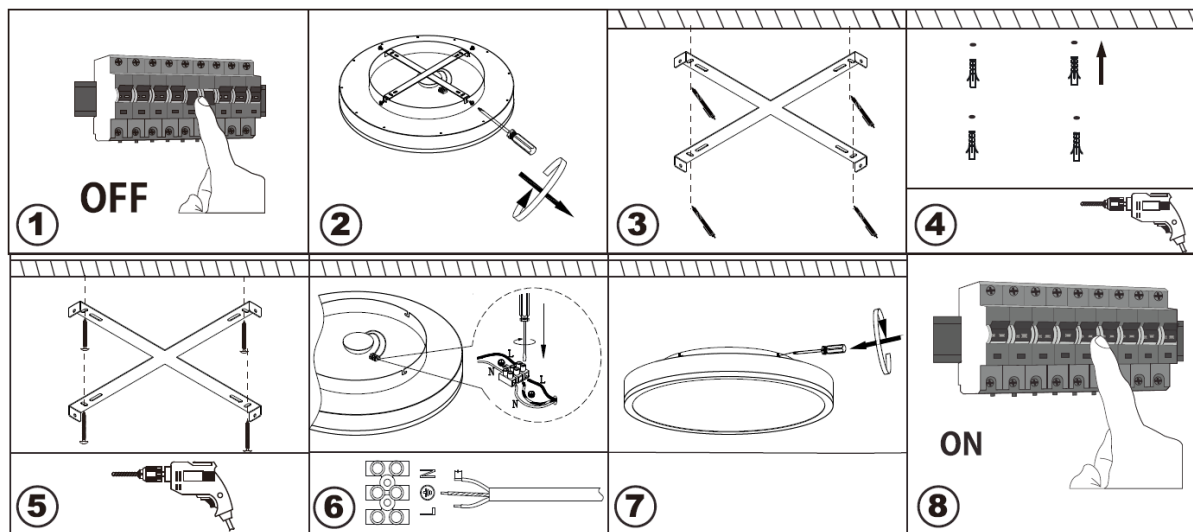
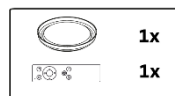
Memory function for control with a simple switch: the LED lighting allows switching of preset modes with a simple switch. If you leave a delay of approx. 20 seconds after switching off the light, the light will turn on in the last used mode.

Memory function for remote control: the light returns to the last used mode after switching on

1. Turn on
2. Turn off
3. Smooth brightness change (increase)
4. Smooth brightness change (reduction)
5. Light temperature change (increase)
6. Light temperature change (decrease)
7. Night light mode
8. When pressed, the luminaire switches off within 30s
9. Changing the colour temperature



Package contents :



INSTALLATION

1. Switch off the power supply
2. Unscrew the bracket
3. Use the holder to mark the four holes for drilling
4. Drill holes and insert dowels into them
5. Screw on the bracket
6. Connect the supply cable to the terminal block
7. Screw the luminaire to the bracket
8. Switch on the power supply

The light source of this luminaire is non-replaceable, at the end of its service life the entire luminaire must be replaced and disposed of in a designated place. This product contains a light source that for design reasons cannot be removed for verification and therefore the entire product is considered a light source. The power cord cannot be replaced if damaged, the unit must no longer be used.

The manufacturer is not liable for any damages caused by improper use./ The manufacturer is not liable for any damages caused by improper use.

Manufacturer: Solight Holding, s.r.o., Na Brně 1972, Hradec Králové 500 06, Czech Republic.